

COMPACT. CONSISTENT. CERTIFIED.

INTELLISERV™ 1/3-SIZE PAN WARMER

Warm up to 6 quarts in 8" of space—modular design holds (1) 1/3-size, (2) 1/6-size, or (3) 1/9-size pans up to 6" deep

Customize for topping, finishing or plating with pumps, ladles or squeeze bottles (sold separately)

Digital display provides instant feedback of heat setting and status



Precise temperature controller and innovative design ensures accurate holding of delicate soups and sauces from the first serving to the last

NSF listed rethermalizer—heat and serve from the same unit and quickly heat to a safe serving temperature before bacteria has an opportunity to develop



INTELLISERV™ WARMER
Model IS-1/3

Food Applications

- Warm sauces, soups and toppings for dipping, dressing or plating in prep and finishing stations
- Great for difficult to hold products such as chocolate, caramel and hollandaise sauce that require precise temperature control

Fast Facts

Quickly warm up to 6 quarts (1/3-size pan) of sauces, soups or toppings in a compact space; precise temperature control and innovative design insures accurate holding from the first serving to the last.

Modular design lets you choose pans, pumps or high-temp squeeze bottles (sold separately).



1.800.558.8722
Intelliserv-Warmers.com

INTELLISERV™ 1/3-SIZE PAN WARMER Model IS-1/3

EVERYTHING YOU NEED AND MORE, IN LESS.

INTELLISERV™ 1/3-SIZE FOOD PAN WARMER

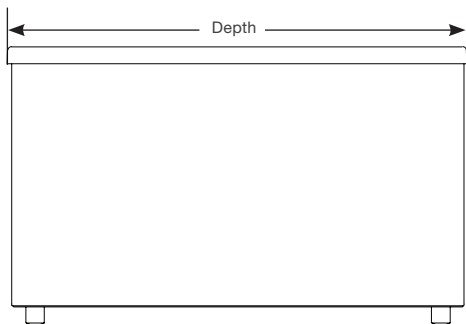
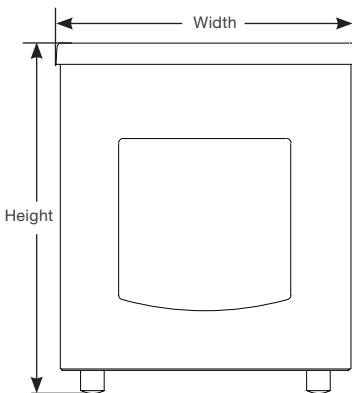
Model IS-1/3

Specifier Statement

Unit will be a Server Products Model IS-1/3 IntelliServ™ 1/3-size food pan warmer. This end-operated, water-bath warmer with digital temperature control (F°/C°) is constructed of stainless steel with a thermoset plastic water vessel and cast aluminum heat plate. NSF listed rethermalizer holds up to 6 quarts in (1) 1/3-size, (2) 1/6-size, or (3) 1/9-size food pans, 6" (150 mm) deep (sold separately). NSF listed. C-UL-US listed. Two-year warranty. Ships FOB Richfield, WI 53076.

Intelliserv™ Product Code

IntelliServ™ 1/3-Pan Warmer IS-1/3 86090



Specifications

| Part Number | Capacity | Dimensions (height x width x depth) | Weight | Electrical |
|-------------|--|---|-----------------|----------------------|
| 86090 | (1) 1/3-size, (2) 1/6-size or (3) 1/9-size pans, 6" (150 mm) deep | 9 5/16" x 7 15/16" x 15 3/8" 23.7 x 20.2 x 39.1 cm | 17 lb 7.7 kg | 120V 500W 4.2A |

 Plug is NEMA 5-15P with 72" (183 cm) cord

230V models available



Accessory Items

Customize an IntelliServ™ to fit your needs. Configure with pumps, ladles or squeeze bottles for topping, finishing or plating.

- Stainless Steel FP-1/6 Pump, 1 oz (30 mL) 86312
- 1/6-Size Squeeze Bottle Holder w/ (3) 16 oz Bottles 87530
- Stainless Steel 6" Ladle, 1 oz (30 mL) 87213
- 1/6-Size, 6" (150 mm) Deep Pan, 2 3/4 qt (2.6 L) 90089
- 1/9-Size, 4" (100 mm) Deep Pan, 1 1/8 qt (1.1 L) 90106
- 1/6-Size Pan Lift-off Lid 90094



Various IntelliServ™ Combinations



Server Products, Inc. 800.558.8722 | Intl: 262.628.5600
3601 Pleasant Hill Road | Richfield WI 53076
spsales@server-products.com | server-products.com

Server Products, Inc. reserves the right to modify specifications without obligation.
Printed in USA | © Server Products, Inc 02.2018 | S 02091